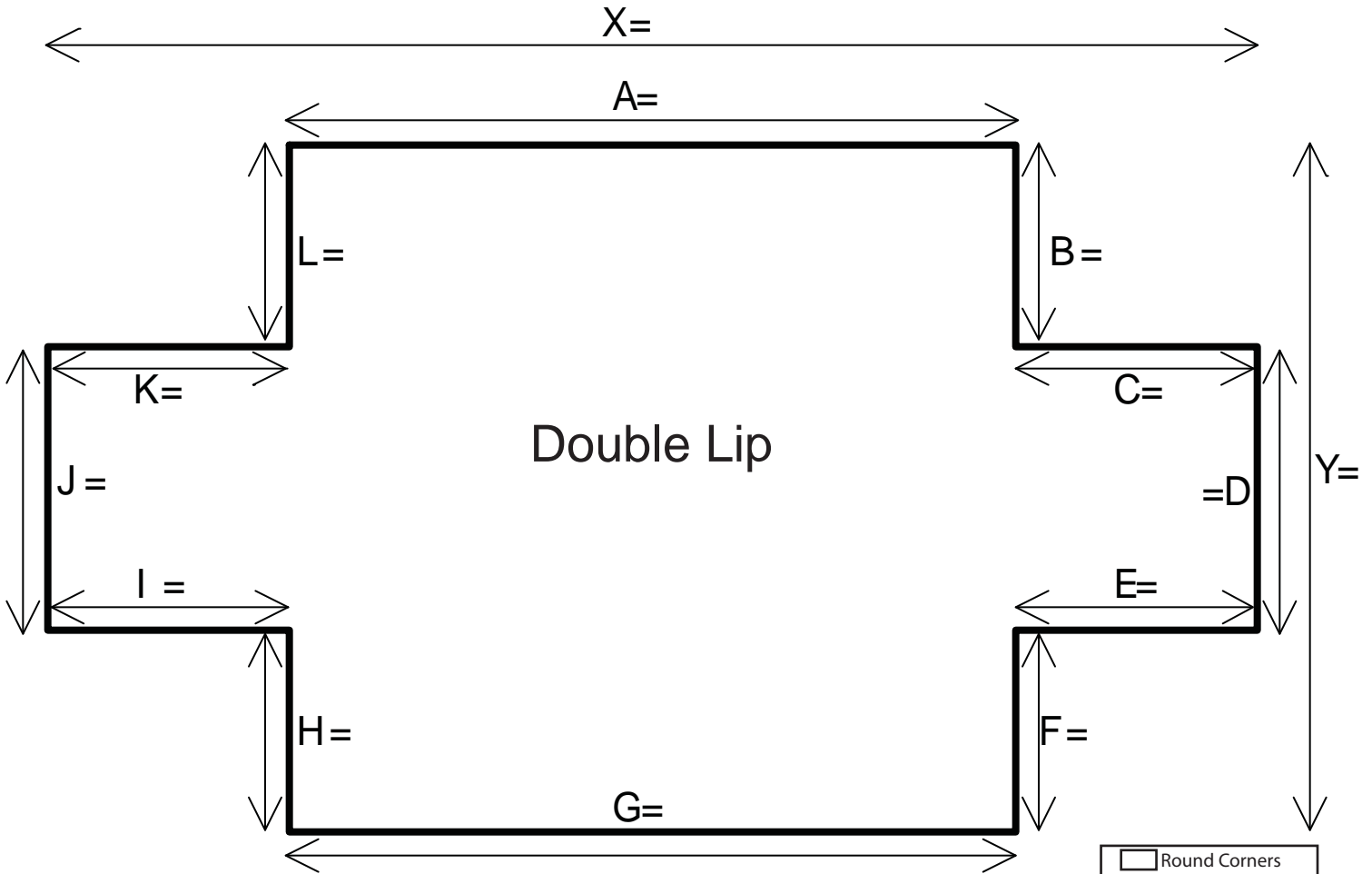


# CHAIR-MAT.COM



TEL# 877-269-1248 FAX# 714-596-2866

THE SUM OF OPPOSING SIDES MUST BE EQUAL FOR ALL CORNERS TO BE 90°



STANDARD SIZES TO CUT FROM

- 36x48
- 45x53
- 46x60
- \*\*\*48x48
- 48x72
- 48x96
- 60x60
- 60x72
- 60x84
- 60x96
- \*60x120
- \*\*72x72
- \*\*72x96
- \*\*72x120

\*\* (ULTRAMAT AND ROLLAMAT ONLY)  
 \*\*\* (EXECUMAT ONLY)

- Round Corners
- Straight Corners
- Beveled Edge
- Noted on DWG

PLEASE CHECK YOUR MAT TYPE BELOW

- EXECUMAT (EX)
- ULTRAMAT (UL)
- GLASS CLEAR (GC)
- ROLLAMAT (RO)
- SUPERMAT (SU)
- NON STUDDED (EV)
- ANTISTATIC (AS)

SHIP TO \_\_\_\_\_ BILL TO \_\_\_\_\_  
 ADDRESS \_\_\_\_\_  SAME AS SHIP TO \_\_\_\_\_  
 CITY, STATE, ZIP \_\_\_\_\_  
 PHONE \_\_\_\_\_ FAX \_\_\_\_\_  
 EMAIL \_\_\_\_\_

VISA  MC  AMEX  DISC  CALL BACK  CARD # \_\_\_\_\_ EXP (MM/YYYY) \_\_\_\_\_

TAX APPLICABLE TO CUSTOMERS IN CA ONLY  
 Custom vinyl products are cut to a tolerance of +/- 1"

